

REV. LTR.	DESCRIPTION	SIGN	DATE
	Update drawing	Shangxiuke	2011.06.27.

Ordering information:

DC000030- □ □ □

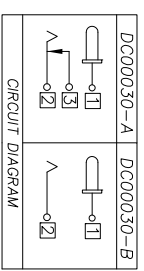
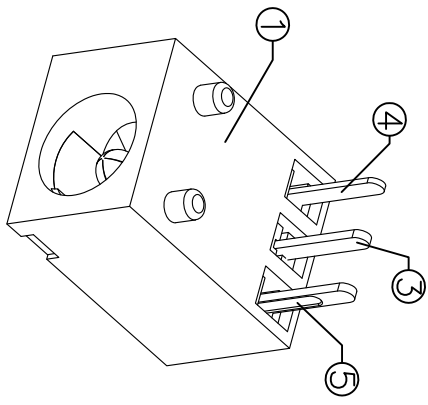
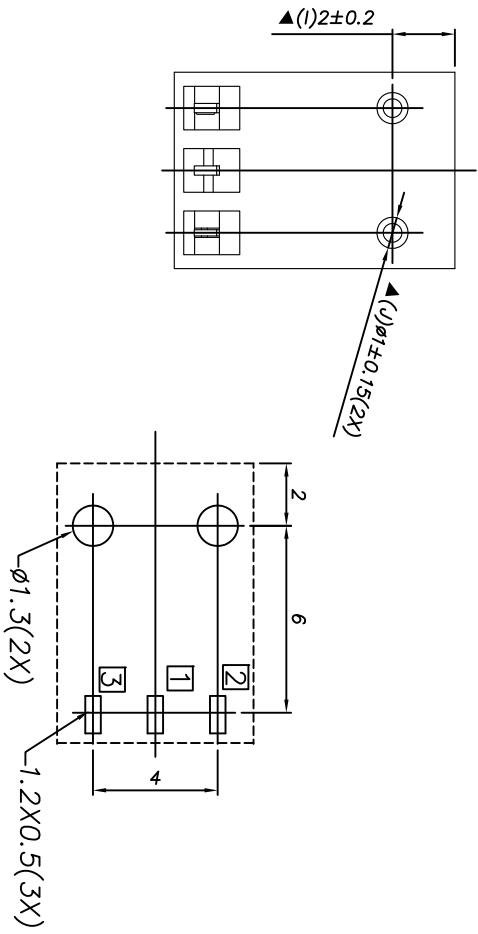
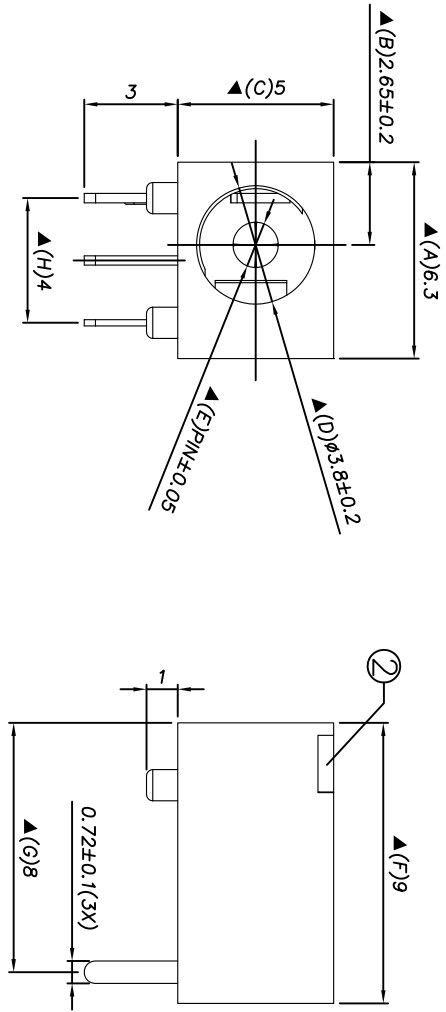
(1) (2) (3)

(1):Series No.

(2):Schematic option: A, B

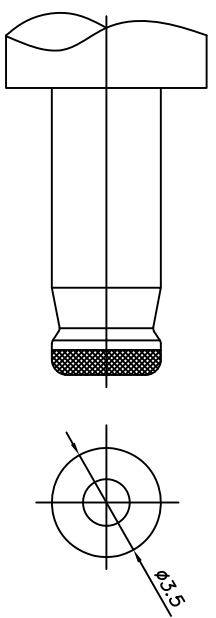
(3):Center pin diameter:

C=φ1.0, E=φ1.3



□ : TERMINAL NO.

Model No.	DC000030-□	DC000030-E
PIN	φ1.0	φ1.3



DC MATE PLUG

RECOMMENDED P. C. B. LAYOUT

UNSPECIFIED TOLERANCE: ±0.05

(BOTTOM VIEW)

- Specification:
1. Rating : DC 20V 2A.
 2. Contact resistance: ≤50mΩ.
After test: ≤100mΩ
 3. Insulation resistance: ≥100MΩ (500VDC).
After test: ≥50MΩ
 4. Withstanding voltage: 500VAC.
 5. Insertion and extraction force: 3N~30N.
 6. life test: 5000cycles min.
 7. Operation temperature range: -20°C~70°C.
 8. Preservative temperature range: -40°C~85°C.
 9. Sign "▲" is importance dimension.

NO.	DESCRIPTION	QTY	MATERIAL	PART NO.	REMARK
⑤	Shunt terminal	3	Brass	DC000030-03(WP-DC00005)	Silver plating
④	Tip spring	2	Stainless steel	DC000030-02(TP-DC00005)	Silver plating
③	Center pin	1	Brass	DC000030-01C/E	Silver plating
②	Cover	1	PBT	DC000030-S2(GZ-DC00003)	Black
①	Housing	1	PBT	DC000030-S1(ST-DC00007)	Black

UNIT:MM	TYPE:	MODEL NO:	PAPER NO: A4	PAGE 1 OF 1		
	DC POWER JACK	DC000030-	TOLERANCE	ANGLES	SCALE	VER
			±0.3	±2°	N/A	02

DESIGNER BY:	Zhangxiuke	2011.06.27	丞永實業有限公司 BLUE SOURCES ELECTRONICS CD,LTD.
CHECK BY:			
APPROVED BY:			